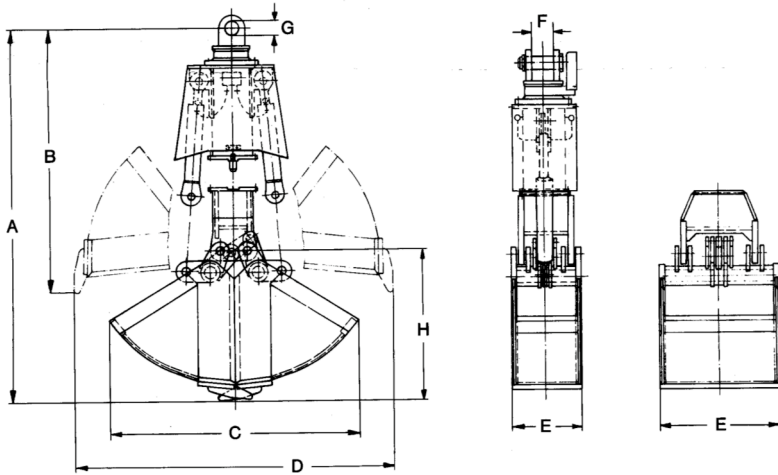


# Clamshell Bucket

## For Hydraulic Excavators



Structural Dimensions

### Specifications

Material Density: Max 2.6 t/m<sup>3</sup>  
 Lifting Capacity: Max 6.5 t  
 Torque/100 bar: 1200 Nm  
 Rotary Head: Hydraulically rotates 360°



See Back Page for more pictures

### General Data

- Operating Pressure:  
 Rotating—Max. 200 bar  
 Opening/Closing—Max. 300 bar

## STRUCTURAL DIMENSIONS (mm)

PRODUCT MODEL	HZG 260.18	HZG 400.18	HZG 520.18	HZG 630.18	HZG800.18	HZG1000.18	HZG 1200.18
A	2200	2200	2200	2200	2235	2225	2275
B	1520	1520	1520	1520	1525	1405	1415
C	1480	1480	1480	1480	1550	1670	1755
D	1970	1970	1970	1970	2040	2030	2140
E	400	600	800	950	1100	1200	1300
F	115	115	115	115	115	115	115
G	70	70	70	70	70	70	70

## PERFORMANCE SPECIFICATIONS

PRODUCT MODEL	HZG 260.18	HZG 400.18	HZG 520.18	HZG 630.18	HZG800.18	HZG1000.18	HZG 1200.18
Material Volume (m <sup>3</sup> )	0.26	0.40	0.52	0.63	0.80	1.0	1.2
Material Weight (KG)	676	1040	1352	1638	2080	2600	3120
Empty Weight (KG)	1070	1140	1220	1280	1360	1360	1425
Number of Teeth	3	5	7	9	9		



# Clamshell Bucket

## For Hydraulic Excavators



**CHALLENGER SERVICES**  
4530 South Jackson Ave  
Tulsa, Oklahoma 74107 USA

Phone: (918) 447-0055  
Fax: (918) 447-0067

email: [sales@challengerservices.com](mailto:sales@challengerservices.com)  
[www.challengerservices.com](http://www.challengerservices.com)