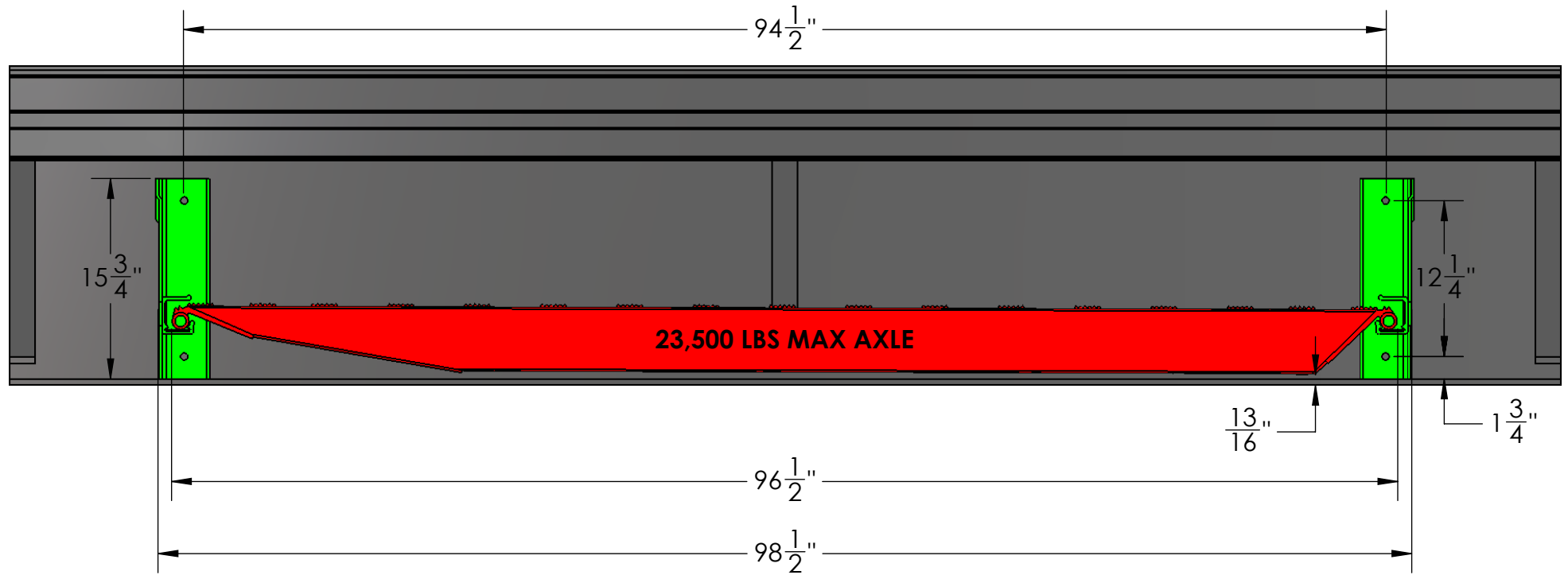


RECOMMENDED FASTENERS:
(4) 1/2 - 13 BOLT 1 1/2" LONG
(4) 1/2 - 13 NUTS
(4) LOCK WASHERS
(8) FLAT WASHERS



THIS DRAWING IS THE PROPERTY OF HEAVY DUTY RAMPS, LLC. ALL INTELLECTUAL PROPERTY RIGHTS ARE RESERVED.

