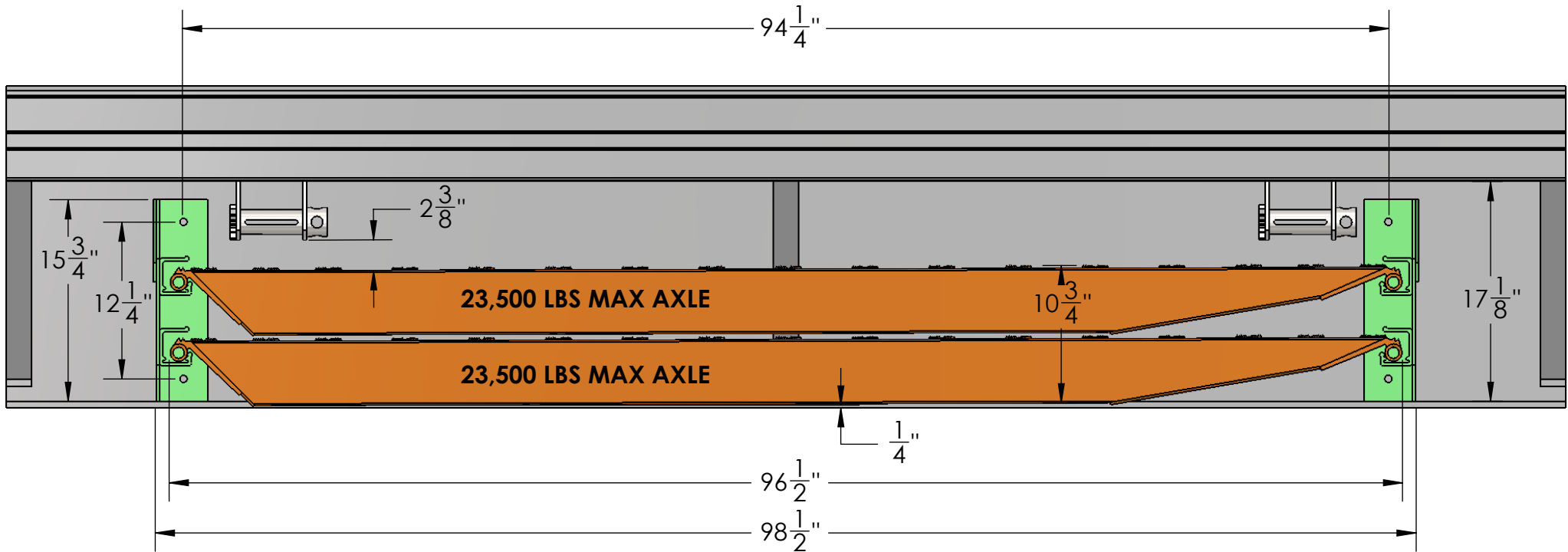


**RECOMMENDED FASTENERS**  
(4) 1/2 - 13 BOLT - 1 1/2" LONG  
(4) 1/2 - 13 NUTS  
(4) LOCK WASHERS  
(8) FLAT WASHERS



**THIS DRAWING IS THE PROPERTY OF HEAVY DUTY RAMPS, LLC. ALL INTELLECTUAL PROPERTY RIGHTS ARE RESERVED**

